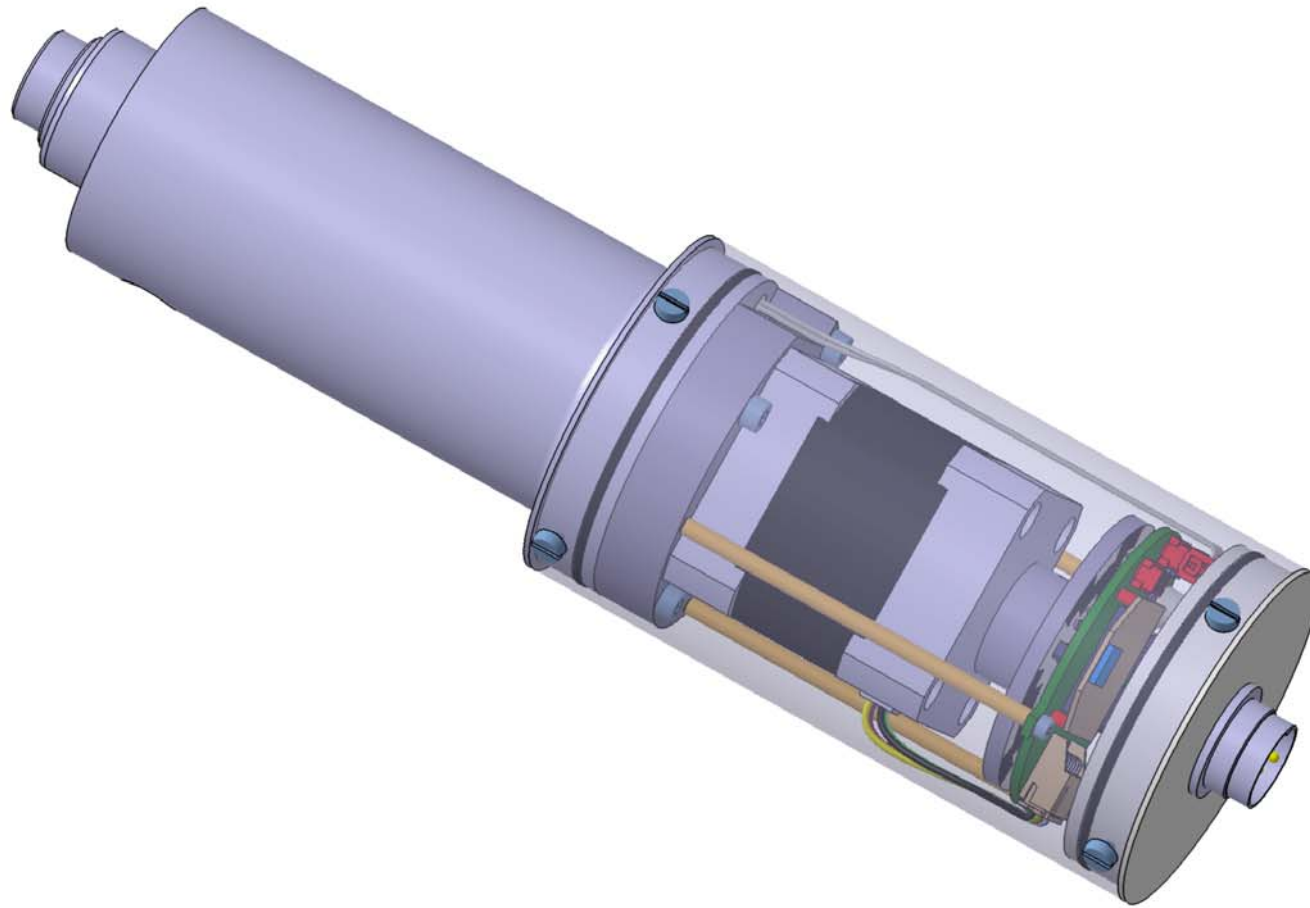




AMC news





AMC today

Improvements since Padova:

- New stronger step motor (~ 2x stronger)
=> AMC power specifications need to be confirm
- WLAN communication for steering and position feedback works
- Test bench is built
- Interface gimbal ↔ telescope structure not yet defined



Arbor tests

	Arbor	Nut
Today:	Stainless steel	Bronze
To test:	Stainless steel, plasma polished with a low friction coating (e.g. CresaCoat® dry film lubrication)	POM
	Steel with a hard chromium coating	POM

⇒ Tests will start in July 2009



Test bench

Mounted on the rooftop of the institute.

Includes:

- structure with dummy mirror
- 2 prototype AMCs
- weather station
- AMC steering and data logging station

Test start: end of April

Duration: ~ 1 year

AMC prototypes: available after successful tests



Test bench



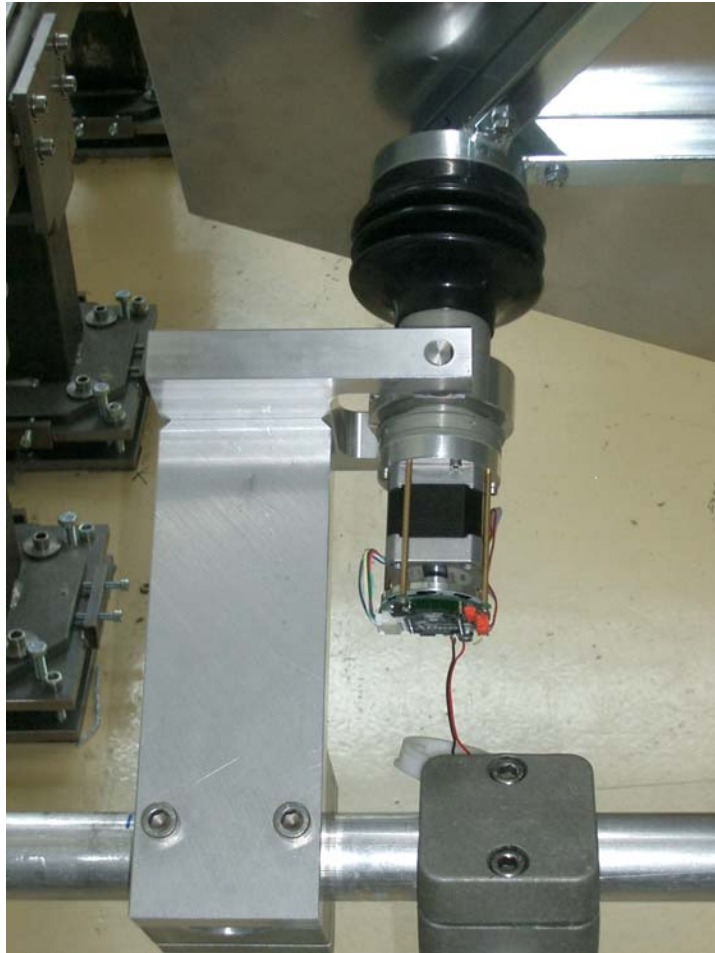
Front view



Rear view



Mounted AMC



Single gimbal



Double gimbal



For further information

Contacts

Mechanics: Stefan Steiner, steiner@physik.uzh.ch

Electronics: Achim Vollhardt, avollhar@physik.uzh.ch

Alternatively: Ben Huber, ben.huber@physik.uzh.ch

Arno Gadola, agadola@physik.uzh.ch